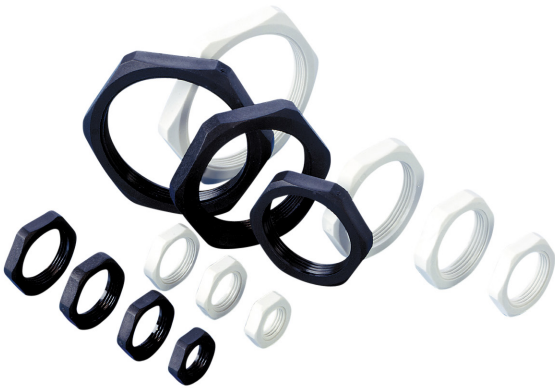


## TECHNICAL DATA SHEET

**PMA Accessories - BMN-M - Lock nut**  
Hexagonal, metric thread**PMA****CE UK  
CA****Features & Benefits:**

- High tightening torques
- Safe system connection
- Very good chemical properties

**Materials:**

- High-grade, specially formulated polyamide 6 with 30% glass fibre reinforced

**Compatible with:**

- PMAFIX Pro, PMAFIX, PMA Smart Line fittings

**Conforms to:**

- Metric thread according to ISO 68, DIN 13 BI.2-11

**Colour:**

- Black
- Grey

**Chemical properties:**

- Please refer to [www.pma.ch](http://www.pma.ch)  
(Technical Information / Chemical Resistance)

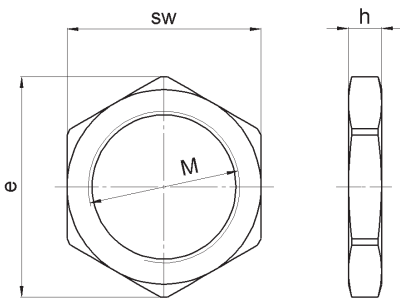
**Environmental properties:**

- Free from halogens and cadmium
- RoHS and REACH compliant

**Product selection:**

Part no.		Thread size	Dimensions in mm (nom.)			Weight	Packing unit
black	grey	metric	h	e +/- 1.0	SW	kg/100 pcs	pcs/PU
BMN-M12	GMN-M12	M12x1.5	5.0	19.0	17.0	0.1	100
BMN-M16	GMN-M16	M16x1.5	5.0	25.0	22.0	0.2	100
BMN-M20	GMN-M20	M20x1.5	5.6	30.0	27.0	0.3	100
BMN-M25	GMN-M25	M25x1.5	6.0	36.0	32.0	0.3	100
BMN-M32	GMN-M32	M32x1.5	7.0	46.0	41.0	0.6	25
BMN-M40	GMN-M40	M40x1.5	7.0	54.0	50.0	0.8	10
BMN-M50	GMN-M50	M50x1.5	8.0	66.0	60.0	1.0	10
BMN-M63	GMN-M63	M63x1.5	8.0	83.0	75.0	1.5	5

Our customer service dept. or local distribution partner will be pleased to help you concerning product availability and lead time



Mechanical Properties:	Value:	Test parameters:	Test method:
Tensile modulus	9000 N/mm <sup>2</sup>		ISO 527
Tensile strength	170 N/mm <sup>2</sup>		ISO 527
Notched bar impact test	44 kJ/m <sup>2</sup>		ISO 179/1eA

Thermal properties:	Value:	Test parameters:	Test method:
Continuous application temperature	-50 ... +105°C		PMA DO 9.21-4510
Upper application temperature	+120°C	(20'000 h)	PMA DO 9.21-4360
Short-term	+160°C	(168 h)	PMA DO 9.21-4360

**Content of delivery:**

- Hexagonal lock nut

**Assembly instructions:**

- Please consider the appropriate assembly instructions on [www.pma.ch](http://www.pma.ch)

ABB Switzerland Ltd,  
PMA Cable Protection  
Aathalstrasse 90  
8610 Uster, Switzerland  
Phone: +41 58 585 00 11  
pma-info@ch.abb.com  
[www.pma.ch](http://www.pma.ch)

Let's write the future.  
Together. **abb.com**

We reserve the right to make technical changes or modify the contents of this document without prior notice. With regard to purchase orders, the agreed particulars shall prevail. ABB Installation Products Inc. does not accept any responsibility whatsoever for potential errors or possible lack of information in this document.

We reserve all rights in this document and in the subject matter and illustrations contained therein. Any reproduction, disclosure to third parties or utilization of its contents – in whole or in parts – is forbidden without prior written consent of ABB Inc. Copyright© 2019 ABB Installation Products Inc. All rights reserved

