



DES Q CLEAN



Splittable frame "Hygienic Design" for cables with and without connectors

FEATURES

NEW

- Easy to wash
- IP66 with all configurations of grommets
- Strain relief according to EN 62444
- Without screw seats and sharp corners
- Overmolded gasket
- Rear installation with overmolded threaded screws



The DES Q CLEAN splittable frame consists of the well-known DES Q divisible frame and an FDA PC mask that fixed onto the frame via overmolded inserts. Therefore, in the final solution with the rubbers installed, it will not just be a different color but a device that meets the Hygienic design needs of food machines. The absence of sharp corners, screw seats and the ease of cleaning and removing dirt make DES24 Clean an unique solution. The system allows the use of cables with and without connectors with diameters from 2 to 35 mm. The divisible grommets, also produced with FDA certified material, can be freely positioned inside the frame. IP66 or NEMA 4X* protection rating is achieved with any grommets combination.

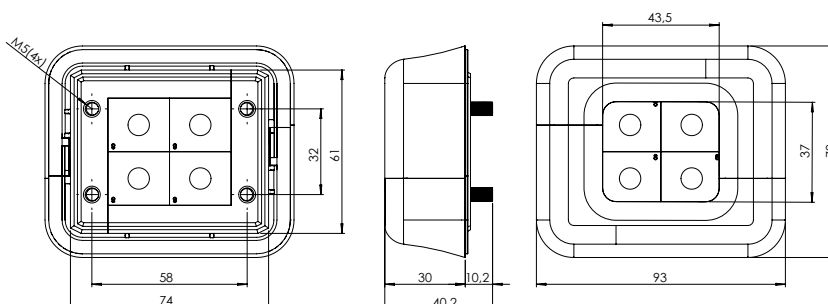
Material: FDA approved PC, halogens and silicones free

Flammability: UL94-HB

Temperature: -40°C... +80°C

| Model | Code | Some possible configurations | Max. cut-out (mm) | Pcs (/pack) |
|-------------|------------|------------------------------|-------------------|-------------|
| DES Q CLEAN | 1731260008 | | 40 x 36 | 1 |

Dimensions (mm)



RELATED PRODUCTS

- SPP C grommets (page 72)
- SPG C grommets (page 72)

